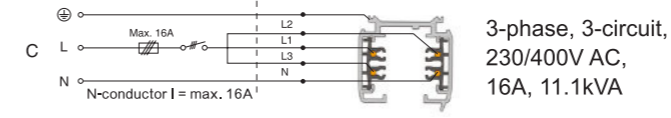
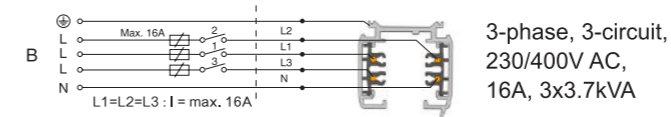
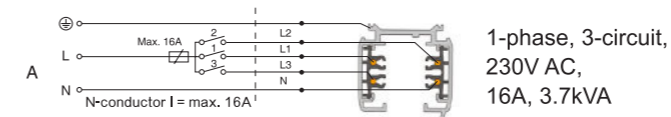
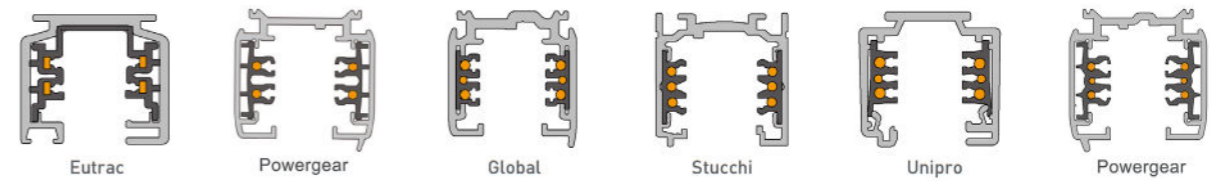
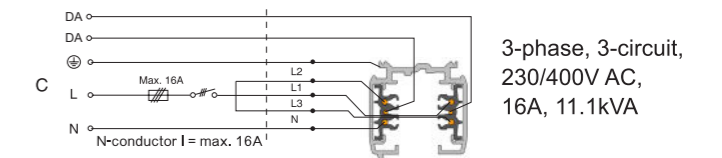
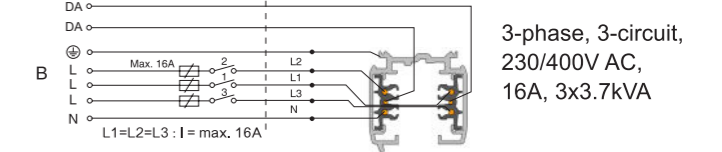
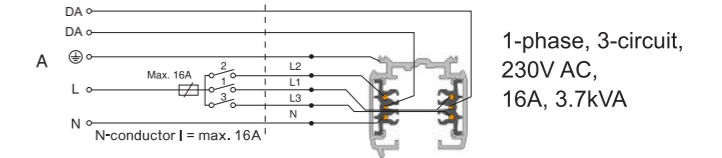


Wiring Diagram (Please select according to the actual product)

4-wires, 3-circuit



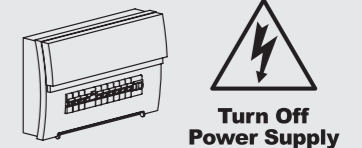
6-wires, 3-circuit



Installation Procedure

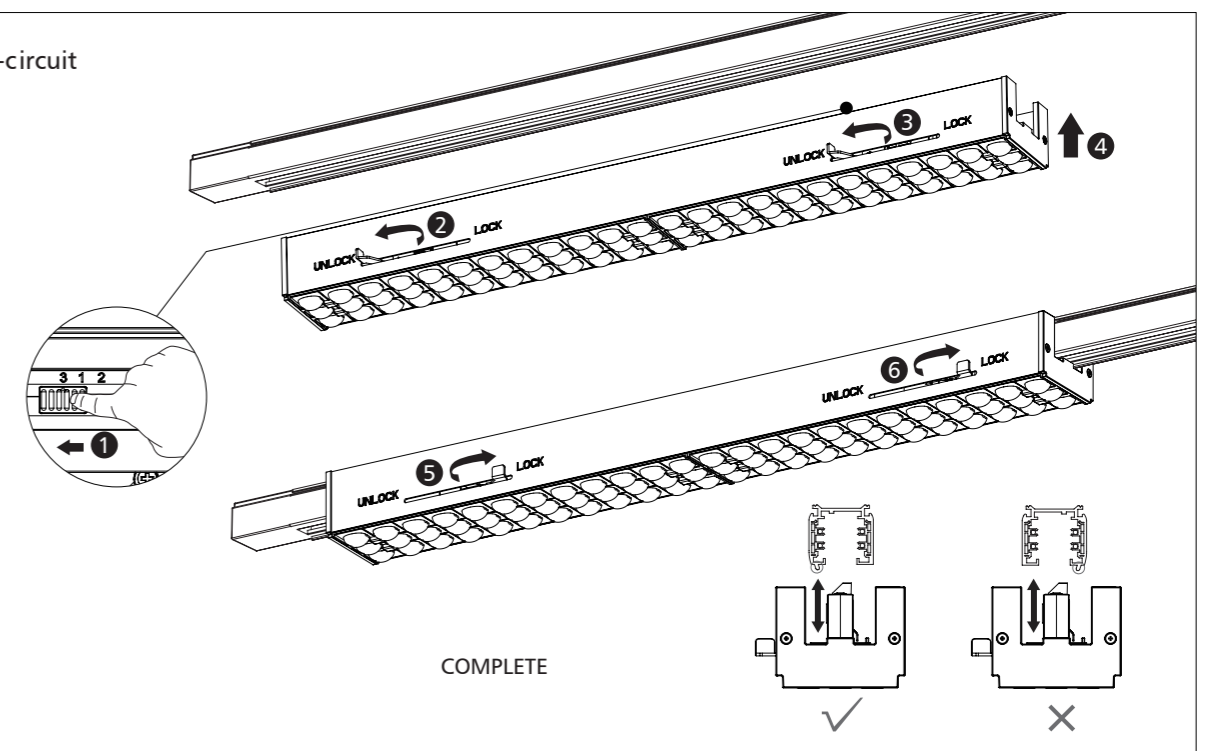
WARNING ⚡

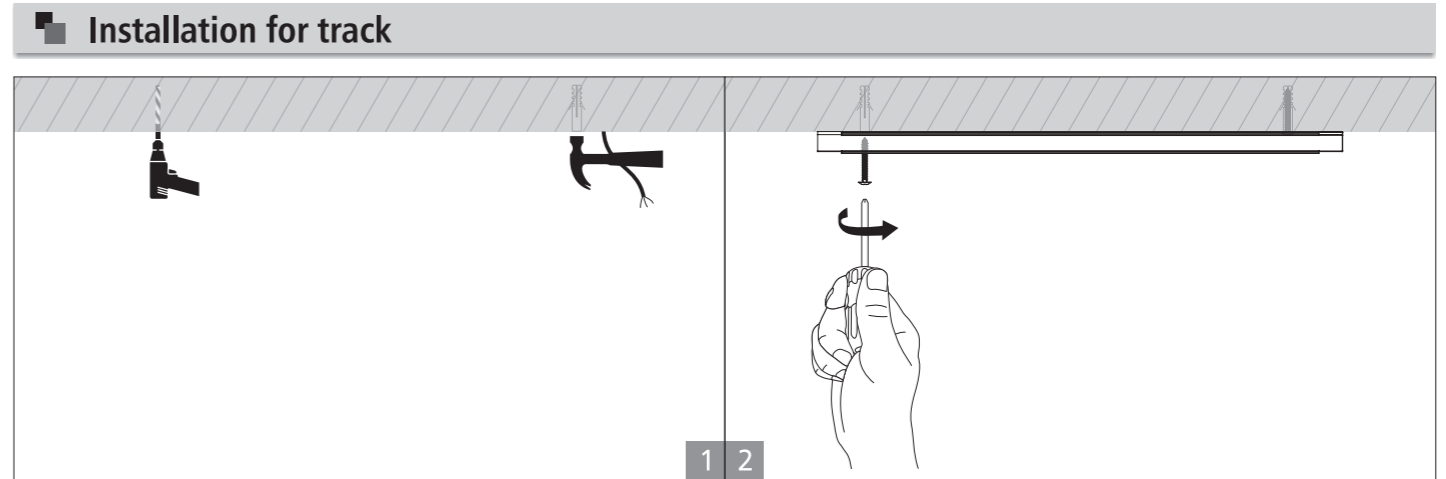
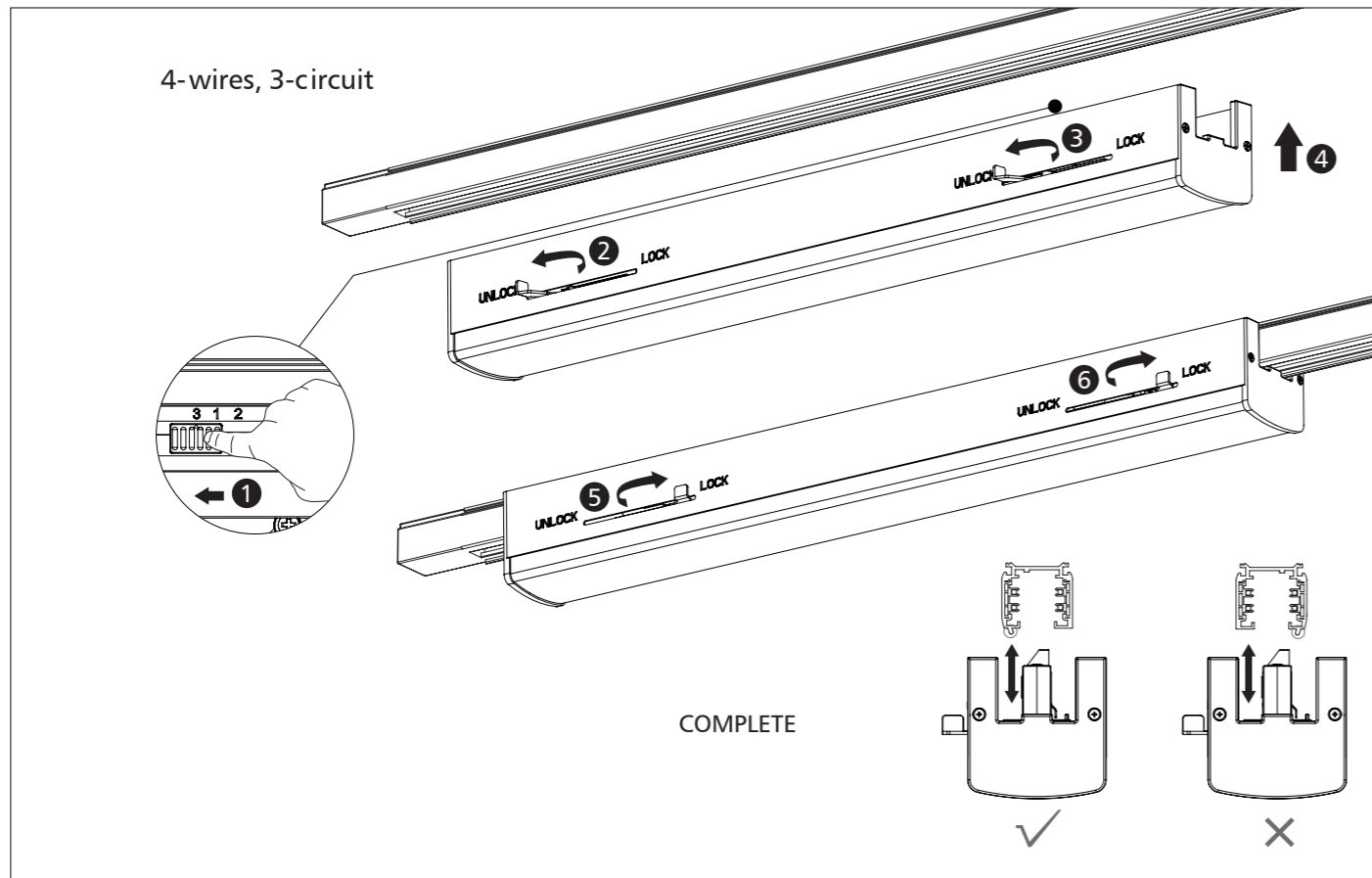
1. Switch off before installation.
2. Switch on only after complete installation and examination of the circuit.
3. Professional electrician for installation and maintenance only.



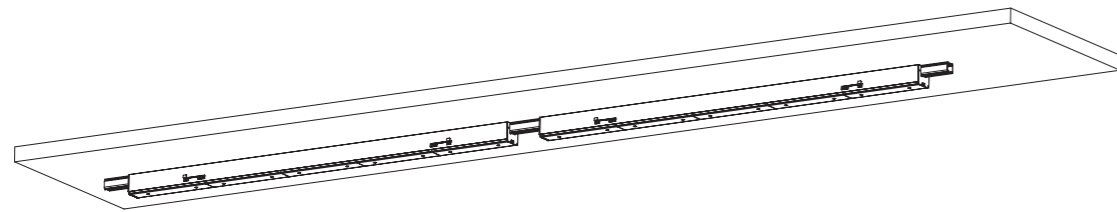
Installation

4-wires, 3-circuit

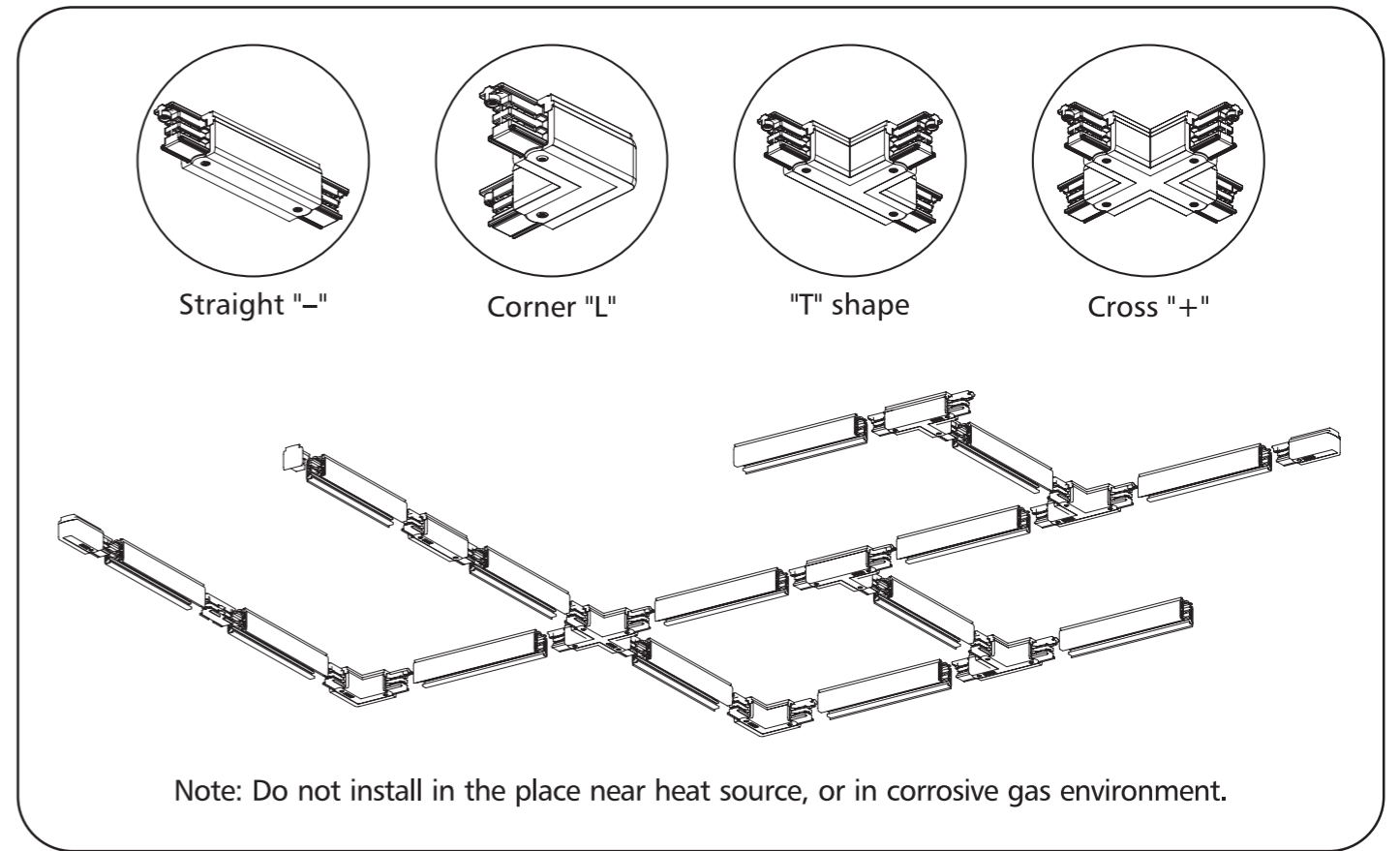
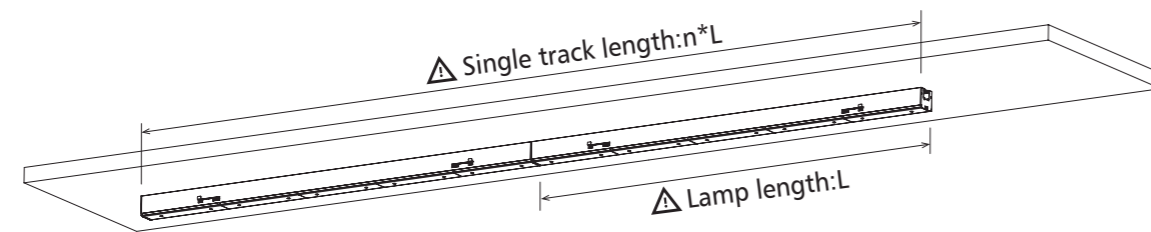




linkable installation



Continuous run installation



Statistical Table of the Number of Integrated Access Lights

Model	Product Specification				Circuit Breaker Specification							
	Inrush current (A)	Inrush time	Rated Voltage (ACV)	Input current (A)	B10	B13	B16	B20	C10	C13	C16	C20
TL151-600-30W-A4	16	138	220-240V	0.151	37	48	60	75	44	57	70	88
TL151-1200-60W-A4	43.2	59	220-240V	0.303	22	28	35	44	22	28	35	44
TL151-1500-75W-A4	29.8	65.8	220-240V	0.38	17	22	28	35	17	22	28	35
TL151-1500-100W-A4	33	121	220-240V	0.56	11	15	19	23	11	15	19	23