

**4-a** 220-240V AC

Power (W)	2.5mm <sup>2</sup> Cable Qty	1.5mm <sup>2</sup> Cable Qty
36	71	40
40	64	36
51	50	28
56	46	25
60	42	24
76	33	19
80	32	18
85	30	17
90	28	16
96	26	15
100	25	14
115	22	12
136	18	10

**4-b**

**How to open**



### Safety notes:

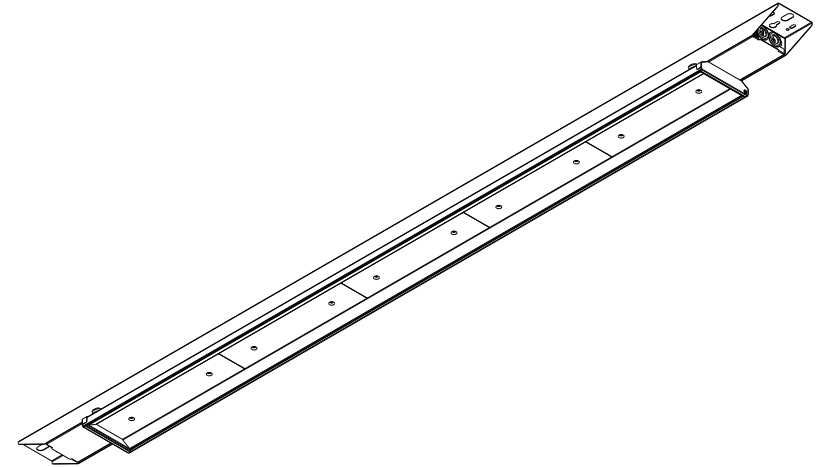
The installation and connection of the luminaire must be done when switched off and by qualified people. Make sure no voltage while installation.

### Maintenance

- To avoid injuries, disconnect power to the light and allow the unit to cool down before performing maintenance.
- Perform visual, mechanical and electrical inspections on a regular basis. We recommend routine checks to be made on an annual basis. Frequency of use and environment should determine this
- The Covers should be cleaned periodically as needed to ensure continued photometric performance. Clean the Cover with a damp, non-abrasive, lintfree cloth. If not sufficient, use mild soap or a liquid cleaner. Do not use an abrasive, strong alkaline or acid cleaner as damage may occur.
- Inspect the topside on the luminaire to ensure that it is free of any obstructions or contamination (i.e.excessive dust build-up). Clean with a non-abrasive cloth if needed.



This product contains a light source of energy efficiency class C.



[ mm ]

L	L1
1208	1123
1782	1697

## Leonardo

