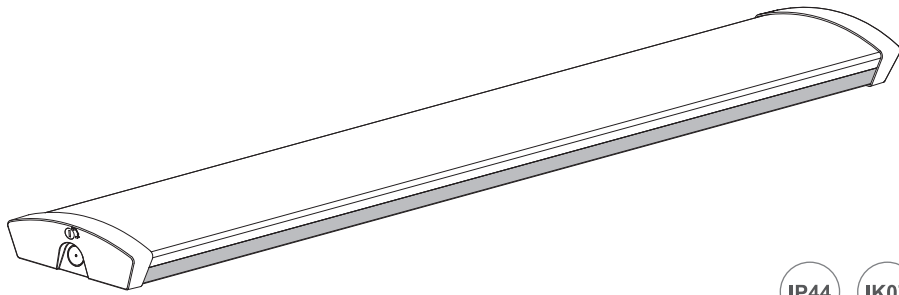


Installation

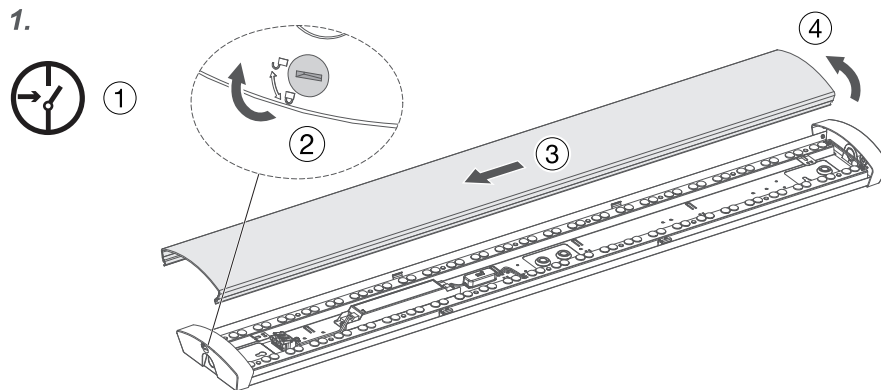
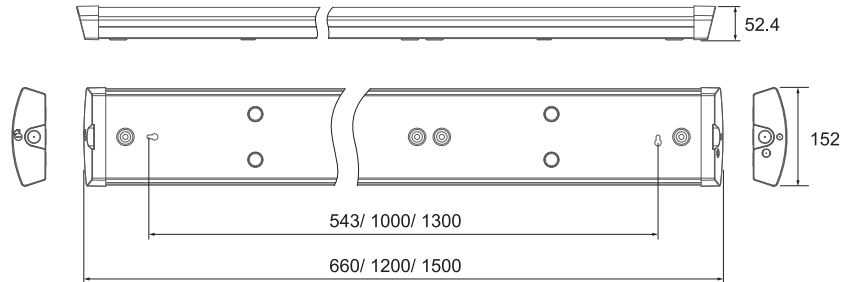


IP44 IK07

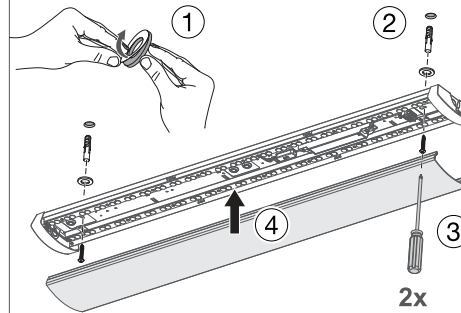


D This product contains a light source of energy efficiency class D.

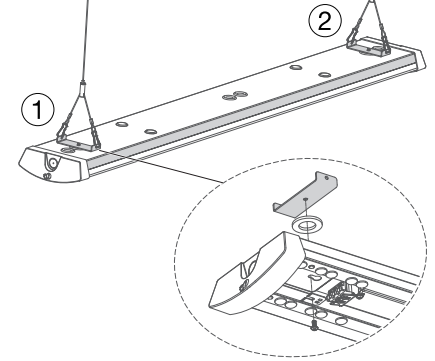
unit: mm



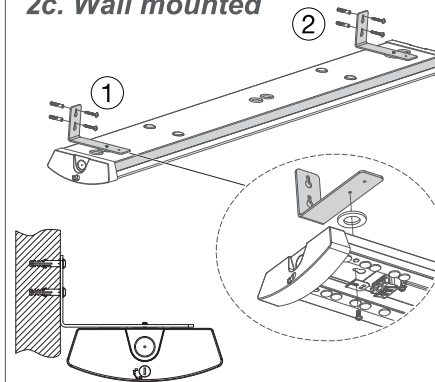
2a. Ceiling mounted



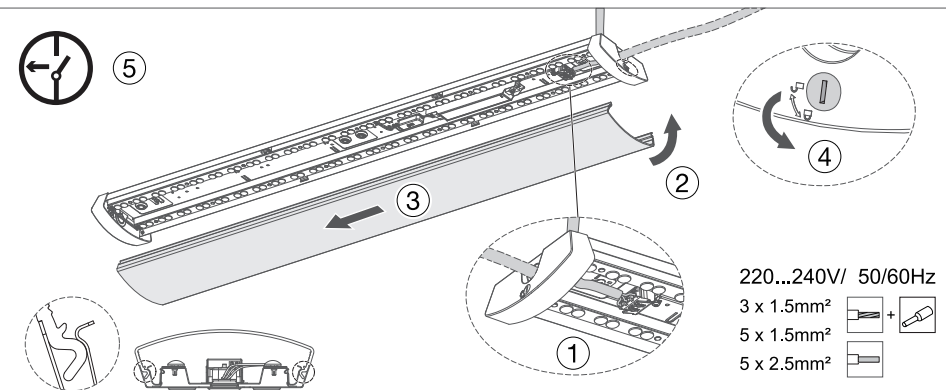
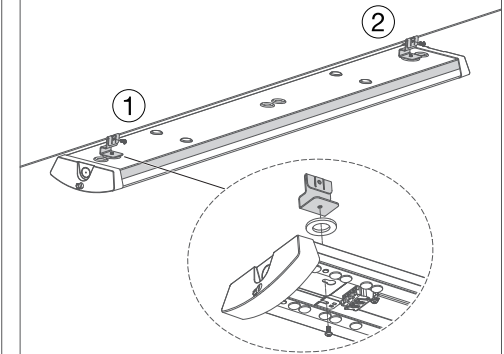
2b. Suspension



2c. Wall mounted



2d. Horizontal wire suspension



220...240V/ 50/60Hz

3 x 1.5mm²

5 x 1.5mm²

5 x 2.5mm²

