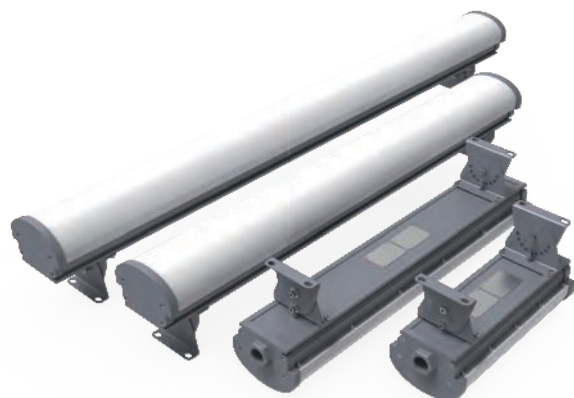


Matteo ATEX Installationsmanual



Applications:

- Wastewater treatment, oil and gas refineries, drilling rigs, petrochemical facilities, food and beverage facilities, tunnels, outdoor or indoor mounted general area lighting, and where flammable vapors, gases, ignitable dusts, fibers or flyings are present.

Features:

- Industry-leading efficacy: up to 140LPW;
- CTT: 3000K~6500K;
- CRI: ≥70;
- -40°C to +50°C ambient operating temperature
- Low profile fixture
- Flush, swivel and pole mount options
- Fixture warranty
- Multiple length: 0.3m or 0.6m or 0.9m or 1.2m
- Wiring: single-sided entry or double-sided entry;
- Entry Size: 3/4" -14 NPT or M25 X1.5 or M26 X1.5;

Standard Materials:

- Housing –Aluminum alloy (ADC12 and 6063);
- Lens –Polycarbonate (PC);

Mounting (ordered separately):

Versatile mounting options:

- Ceiling mount
- Wall Mount

Mounting Angle: 0° to ± 90°;

Certifications and compliances:

IECEX:

- Ex eb mb IIC T5 Gb;
- Ex tb IIIC T75 C Db;
- IP66;

ATEX:

- II 2G Ex eb mb IIC T5 Gb;
- II 2D Ex tb IIIC T75 C Db;
- IP66;

Standard :

ATEX: EN IEC 60079-0-2018; EN 60079-7-2015; EN 60079-18-2015; EN 60079-31-2014;

IECEX: IEC 60079-0-2017; IEC 60079-7-2015; IEC 60079-18-2014; IEC 60079-31-2013;

Warning:

IECEX& ATEX :

- “WARNING – DO NOT OPEN WHEN ENERGIZED”;
- “WARNING – DO NOT OPEN WHEN AN EXPLOSIVE ATMOSPHERE IS PRESENT”;
- “WARNING – POTENTIAL ELECTROSTATIC CHARGING HAZARD – SEE INSTRUCTION”;
- The number of engaged threads are not less than five threads and with a tolerance quality of medium or fine according to ISO 965-1.
- Tapered threaded joints without an additional seal or gasket shall engage no less than 3½ threads.
- Ex eb cable glands meeting at least IP66 shall be used on-site.
- Power cable with 3x0.75 mm² conductors are provided.
- At least one PE conductor with a cross sectional area 0.75mm² is provided.
- Equipotential (EP) bonding connection facilities on the outside of equipment is incorporated with a conductor with a cross-sectional area of at least 4 mm².

Technical table:

Model	Power (W)	Input voltage: AC100V-277V; Frequency: 50/60Hz;						
		Output voltage: 30V-56Vdc						
		CCT: 3000K-6500K						
		Power factor: 0.97						
		Luminous flux (LM)	Light efficiency (Lm/W)	LEDs Chip	LEDs Type	LED Driver Model	Weights (kg)	Lengths (m)
CES-EX-LN-02P-30A	30	4200	120-140	72PCS	3030 (6V)	X1-30-56	2.5	0.3
CES-EX-LN-02P-20A	20	2800						
CES-EX-LN-02P-50B	50	7000						
CES-EX-LN-02P-40B	40	5600	120-140	144PCS	3030 (6V)	X1-50-56	3.0	0.6
CES-EX-LN-02P-30B	30	4200						
CES-EX-LN-02P-20B	20	2800						
CES-EX-LN-02P-70C	70	9800	120-140	216PCS	3030 (6V)	X1-70-56	4.5	0.9
CES-EX-LN-02P-60C	60	8400						
CES-EX-LN-02P-50C	50	7000						
CES-EX-LN-02P-40C	40	5600	120-140	288PCS	3030 (6V)	X1-50-56	5.5	1.2
CES-EX-LN-02P-100D	100	14000						
CES-EX-LN-02P-80D	80	11200						
CES-EX-LN-02P-70D	70	9800	120-140	288PCS	3030 (6V)	X1-100-56	5.5	1.2
CES-EX-LN-02P-60D	60	8400						
CES-EX-LN-02P-50D	50	7000						
CES-EX-LN-02P-40D	40	5600				X1-50-56		

Note: The power supply is sealed; LEDs are sealed with transparent silicone.

Dimensions:

Figure 1 applies to CES-EX-LN-02P-30A, CES-EX-LN-02P-20A, CES-EX-LN-02P-10A;

Size:L x W x H:329(339)mm x 125mm x 88.7 mm

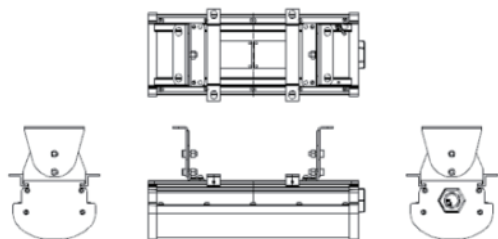


Figure 1

Figure 2 applies to CES-EX-LN-02P-50B, CES-EX-LN-02P-40B, CES-EX-LN-02P-30B, CES-EX-LN-02P-20B;

Size:L x W x H: 629(639) mm x 125mm x 88.7 mm

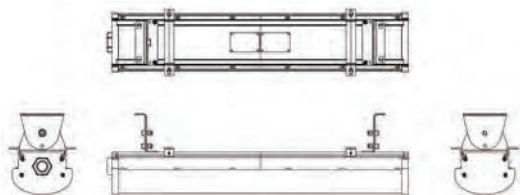


Figure 2

Figure 3 applies to CES-EX-LN-02P-70C, CES-EX-LN-02P-60C, CES-EX-LN-02P-50C, CES-EX-LN-02P-40C, CES-EX-LN-02P-30C;

Size:L x W x H:929(939) mm x 125mm x 88.7 mm

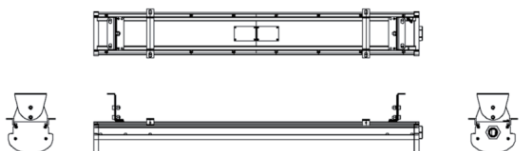


Figure 3

Figure 4 applies to CES-EX-LN-02P-100D, CES-EX-LN-02P-80D, CES-EX-LN-02P-7D, CES-EX-LN-02P-60D, CES-EX-LN-02P-50D, CES-EX-LN-02P-40D.

Size:L x W x H: 1229(1239) mm x 125mm x 88.7 mm

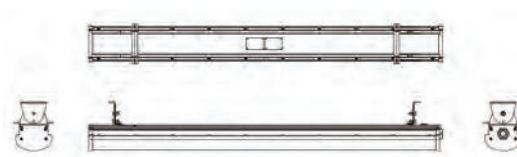


Figure 4

Dimensions:

The product can be mounted as shown in Figure 5 to 12 below.



Figure 5



Figure 6

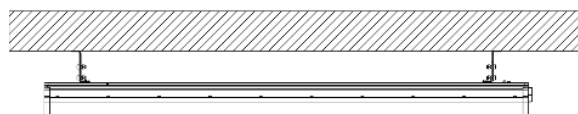


Figure 7



Figure 8

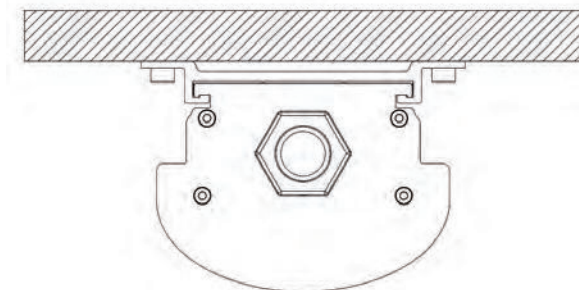


Figure 9

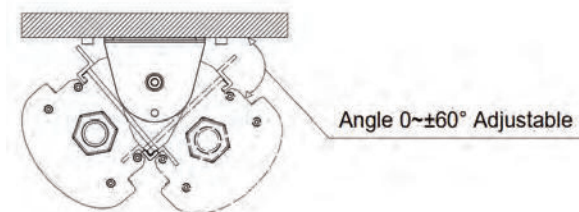


Figure 10

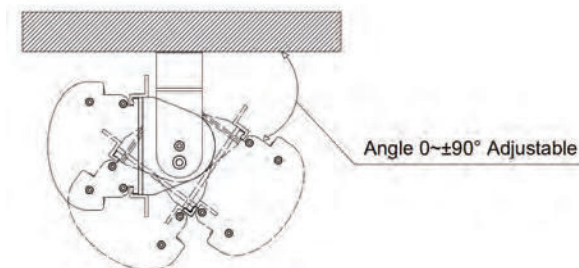


Figure 11

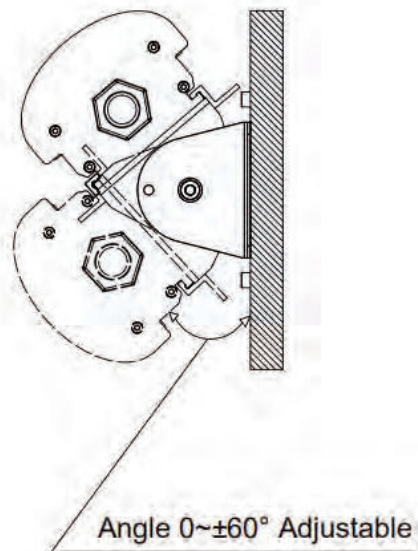


Figure 12

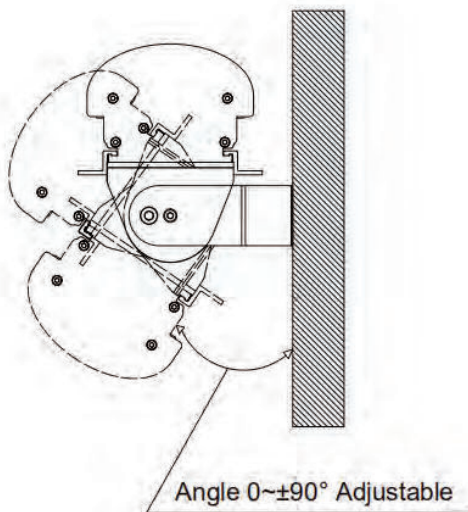


Figure 13

W-Power

X-Size, A: 0.3m, B: 0.6m, C: 0.9m, D: 1.2m;

A- CCT, 01:3000K; 02: 4000K;03: 6500K....

B- Mounting, 01: Ceiling/swivel mount; 02: U bracket mount;
03:Pole mount.....

C-Cable Entry, 01:One cable entry;02:two cable entries;

Part number example: CES-EX-LN-02P-30A-02-01-01; That
mean30W, 0.3m, CCT 4000K,Ceiling mount, One cable entry.