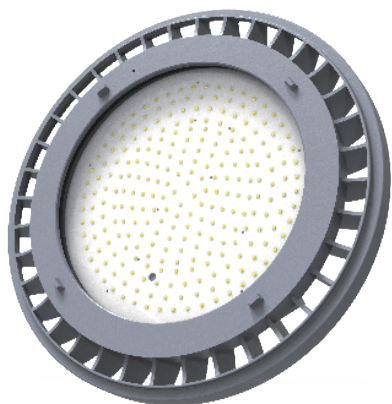


Ines ATEX High Bay Installationsmanual



luminex

Applications:

- Wastewater treatment, oil and gas refineries, drilling rigs, petrochemical facilities, food and beverage facilities, tunnels, outdoor or indoor mounted general area lighting, and where flammable vapors, gases, ignitable dusts, fibers or flyings are present.
- Applies to hazardous locations of Zone 1 and Zone2 with explosive gas atmosphere.
- Applies to hazardous locations of Zone 21 and Zone22 with explosive dust atmosphere.

Features:

- Industry-leading efficacy: up to 140LPW;
- CTT: 3000K-6500K;
- CRI: ≥70;
- -40°C to +45°C /50°C /55°C ambient operating temperature;
- Low profile fixture;
- Flush, swivel and pole mount options;
- Wide optics for uniform illumination;
- Fixture warranty;
- Entry Size: M26X1.5 or M25X1.5 ;
- Beam angle: 120°.

Standard Materials:

- Housing –Aluminum alloy (ADC12);
- Lens –tempered glass;

Mounting (ordered separately):

Versatile mounting options:

- Ceiling mount
- Drop mount
- Wall mount
- U-Bracket mount

Mounting Angle: 0°to ±90°;

Certifications and compliances:

IECEX:

- Ex db op is IIC T4...T5...T6 Gb;
- Ex tb op is IIIC T103°C...T98°C ...T93°C Db;
- IP66;
- Certificate No: IECEX SEV 19.0040X

ATEX:

- ⓂII 2G Ex db op is IIC T4...T5...T6 Gb;
- ⓂII 2D Ex tb op is IIIC T103°C...T98°C ...T93°C Db;
- IP66;
- Certificate No: SEV 19 ATEX 0334 X

T-Class(Gas):

Model:\nTa:	-40°C ~ 45°C	-40°C ~ 50°C	-40°C ~ 55°C
CES-EX-GB-100	T6	T6	T5
CES-EX-GB-120	T6	T6	T5
CES-EX-GB-150	T6	T5	T5
CES-EX-GB-185	T5	T5	T5
CES-EX-GB-200	T5	T5	T4

T-Class(Dust):

Model:\nTa:	-40°C ~ 45°C	-40°C ~ 50°C	-40°C ~ 55°C
CES-EX-GB Series	T93°C	T98°C	T103°C

Standard:

ATEX: EN IEC 60079-0-2018; EN 60079-1-2014;
EN 60079-28-2015; EN 60079-31-2014;
IECEX: IEC 60079-0-2017; IEC 60079-1-2014;
IEC 60079-28-2015; IEC 60079-31-2013;

Warning:

IECEX & ATEX:

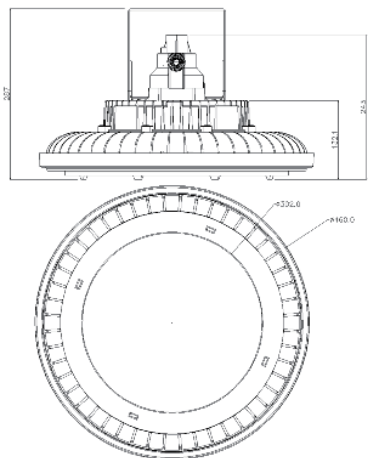
- “CAUTION-USEFASTENER WITH YIELD STRESS ≥ 640 MPa”;
- “WARNING – DO NOT OPEN WHEN ENERGIZED”;
- “WARNING – DO NOT OPEN WHEN AN EXPLOSIVE ATMOSPHERE IS PRESENT”;
- “WARNING – ONLY USE CABLES SUITABLE FOR 85°C”;
- " WARNING - DETAILED TEMPERATURE CLASS - SEE INSTRUCTIONS”;
- “THE FLAMPROOF JOINTS ARE NOT INTENDED TO BE REPAIRED”;
- End user shall use certified cable gland or conduit with suitable type of protection for final installation purpose;
- External earthing wire shall be connected when used and the cross-sectional areashall be more than 4mm² or 10AWG;
- Under rating condition, maximum temperature on the luminaire’s shell shall not be higher than 130°C for T4. Temperature at cable inlet shall not be higher than allowable limit of the cable applied, to ensure the cable operation normally. The branch point is 83.6°C and cable entry point is 69.4°C.

Technical table:

Model	Power (W)	Input voltage: AC100V-277V; Frequency: 50/60Hz;					
		Output voltage: 33V~40Vdc					
		CCT: 3000K-6500K					
		Power factor:0.97					
		Luminous flux (LM)	Light efficiency (Lm/W)	LEDs Chip	LEDs Type	Weights (kg)	Size Φx H (mm)
CES-EX-GB-100	100	≥11000	110-140	252PCS	3030	14.3	Φ460 x 243
CES-EX-GB-120	120	≥13200					
CES-EX-GB-150	150	≥16500					
CES-EX-GB-185	185	≥20350					
CES-EX-GB-200	200	≥22000					

Dimensions:

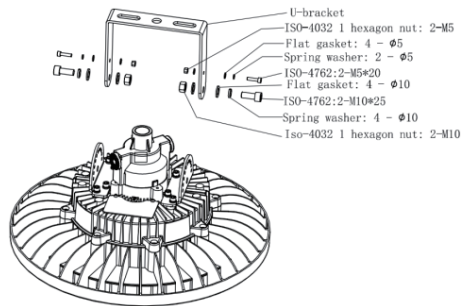
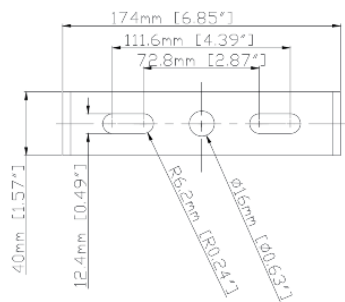
Figure 1 applies to CES-EX-GB-02-30,CES-EX-GB-02-40.



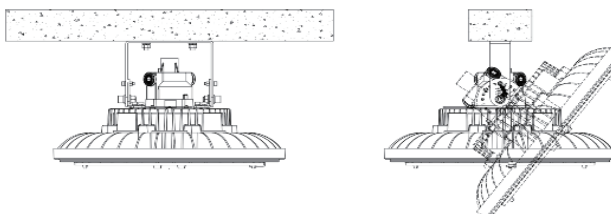
Mounting:

The product can be mounted as shown in Figure2 below.

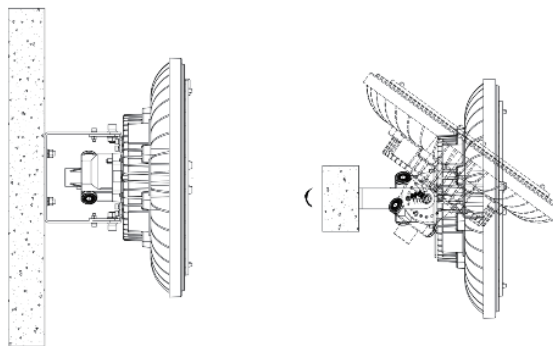
U-Bracket Size:



Ceiling mount:

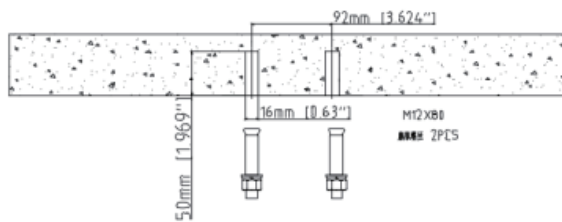


Wall mount:

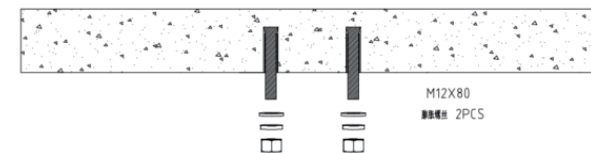


Installation steps(Ceiling mount, Wall mount):

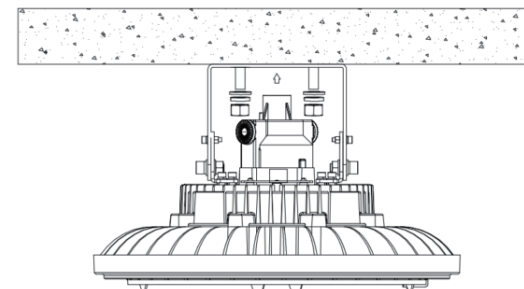
Use two M12×80 expansion screws to fix on the ceiling or wall, See Steps.



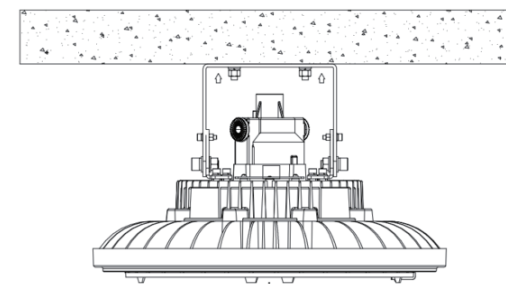
Step1: Open two holes in the wall according to the size in the picture.



Step2: Install the expansion screws in the holes.

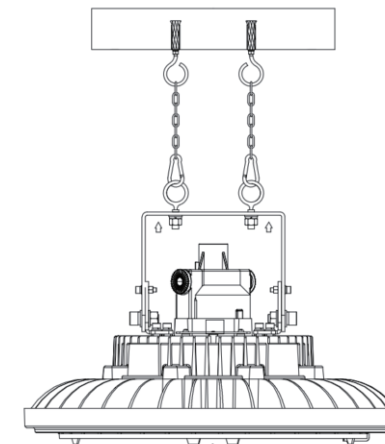


Step3: Align the mounting holes of the CES-EX-GB U-shaped bracket with the holes of the expansion screw.



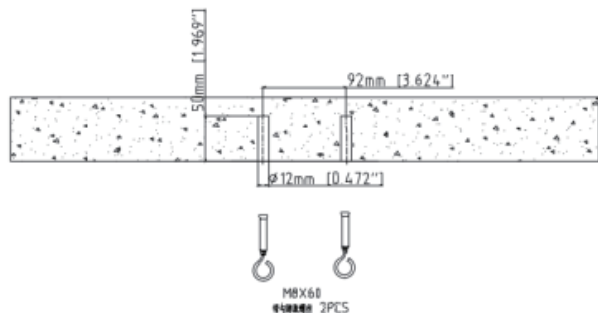
Step4: Use a wrench to tighten the expansion screw.

Drop mount:

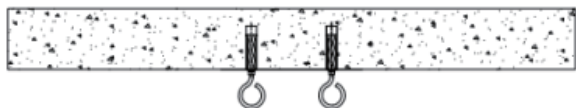


Installation steps(Drop mount):

Use two M8×60 expansion screws with hooks to fix on the ceiling, and connect the U bracket through the iron chain, See Steps.



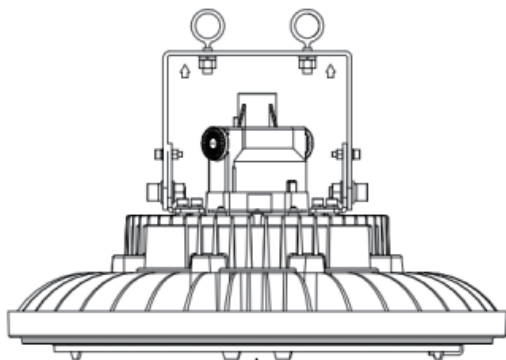
Step1: Open two holes in the wall according to the size in the picture.



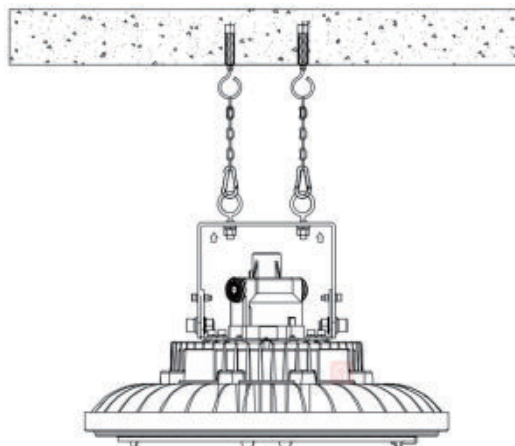
Step2: Install the expansion screws with hooks in the holes.



Step3: Install $\Phi 4$ size stainless steel circular chain on the hooks.



Step4: Use M6 size lifting eye to install on U-bracket.



Step5: Hang the lamp on the stainless steel chain.

Figure2-Mounting

Ordering information:

CES-EX-GB-W-A-B-C-D-E

CES- SHENZHEN CESP;

EX-Explosionproof;

GB-Round;

W-Power;

A-Configuration, 01:Line; 02:Roundness; 03:Square.....;

B- CCT, 01:3000K; 02: 4000K;03: 6500K; 04: 5000K; 05: 5700K.....;

C- Mounting, 01: Ceiling/swivel mount; 02: U bracket mount; 03:Pole mount.....;

D-Color, 01: Yellow; 02: Gray; 03: White; 04: Green; 05:

Blue; 06: Orange red...;

E-Other;

Part number example: CES-EX-GB-100-02-03-02-01; That means 100W, Roundness, CCT 6500K, U bracket mount, Yellow.