

OPERATING INSTRUCTION

LED WALL LAMP



LUX-418AB1-9W-B LUX-419AB1-9W-B

IP66

CE

RoHS
2011/05/EU

luminex

APPLICATION

This is outdoor wall mounted LED lamp .

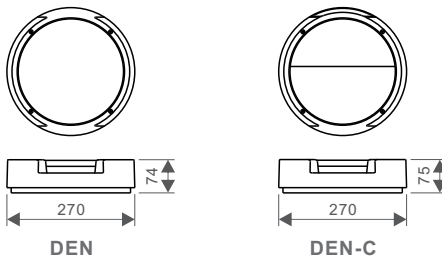
- Houses
- Garden
- Retail
- Schools
- Hotels
- Hospitals
- Airports
- Open public area

MAIN TECHNICAL DATA

Input: AC 220-240V 50/60Hz

Light source: LED SMD2835

Working temperature: -25°C---+50°C



CAUTION

1. The product must be installed by professional technicians and power supply must be cut off before installation.
2. The installation wiring must be 3x 1.0-2.5mm² and wired in accordance with the latest IEE electrical regulations or the national requirements.(Recommend type of cable is H05RN-F)
3. The light source of this luminaire is replaceable, and it must be operated by professional technicians when power supply is cut off in advance.

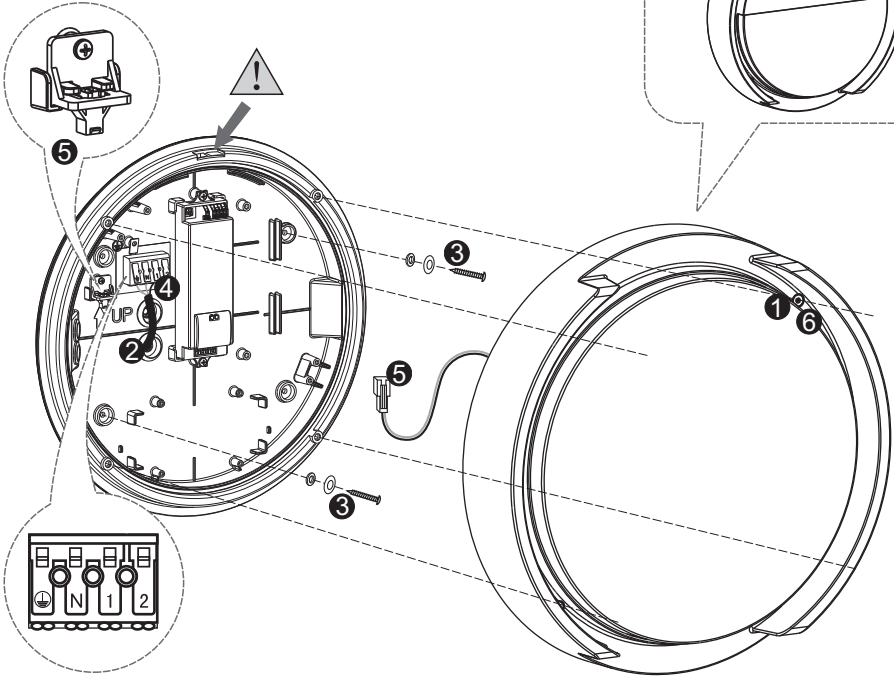
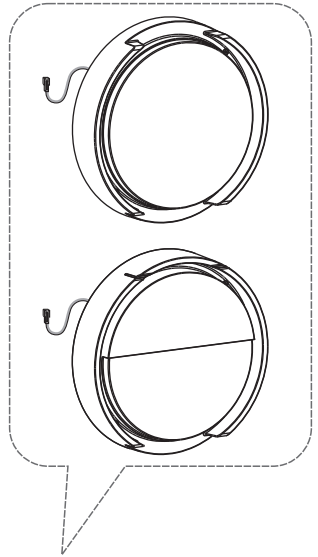
TECHNICAL INFORMATION

Code	Input Voltage	LED Type	Input Power	Lumen	Sensor	Dimensions (ΦxH)
LUX-418AB1-9W-B	AC 220-240V 50/60Hz	SMD2835	9 W	800/400	Lm	— Φ270x74 mm
LUX-419AB1-9W-B	AC 220-240V 50/60Hz	SMD2835	9 W	650/330	Lm	— Φ270x75 mm

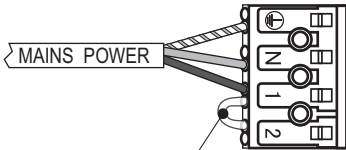
Parameter tolerance: ±10%
CCT: 4000K

MOUNTING

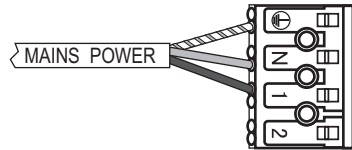
1. Disassemble the diffuser kit .
2. Pull in the power cord through the gasket.
3. Fix the fixture on the wall with screws.
4. Connect the power cord on the terminal correctly.
(Caution: Earthing cable must be connected firmly.)
5. Connect the male connector of diffuser kit to the female connector of fixture.
6. Assemble the diffuser kit firmly. Pay attention to the spacing hole.



Cable connection



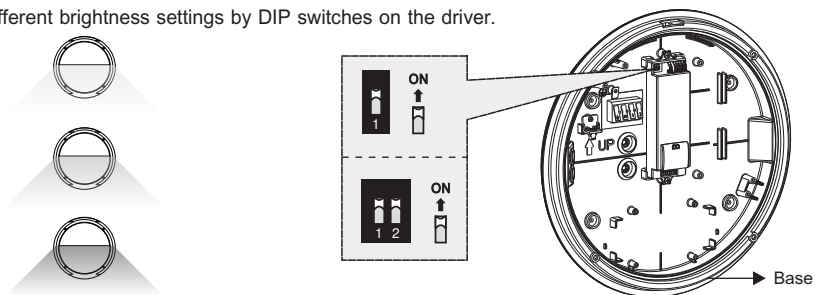
Without Sensor



With Sensor(switched live not required)

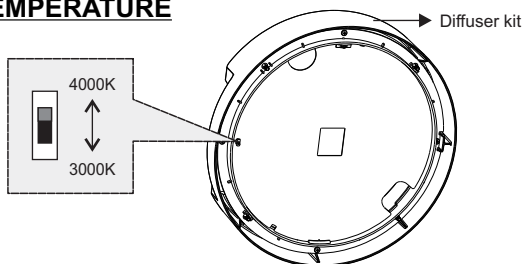
SELECTABLE BRIGHTNESS

Different brightness settings by DIP switches on the driver.



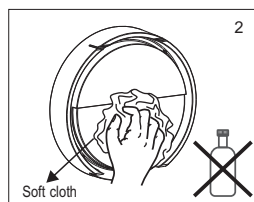
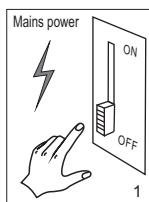
SELECTABLE COLOUR TEMPERATURE

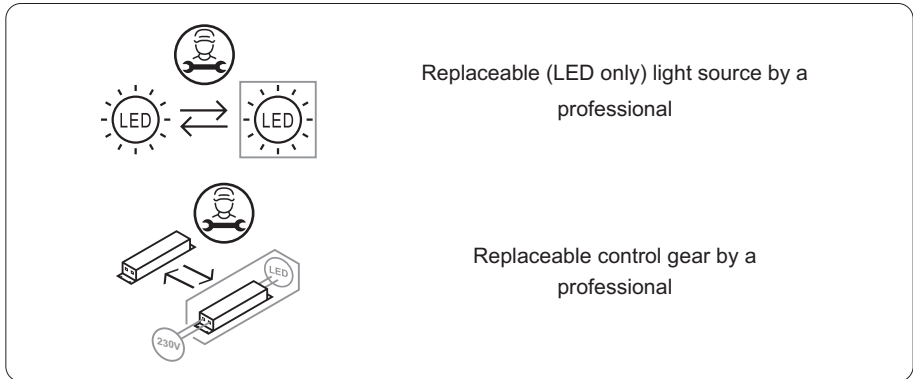
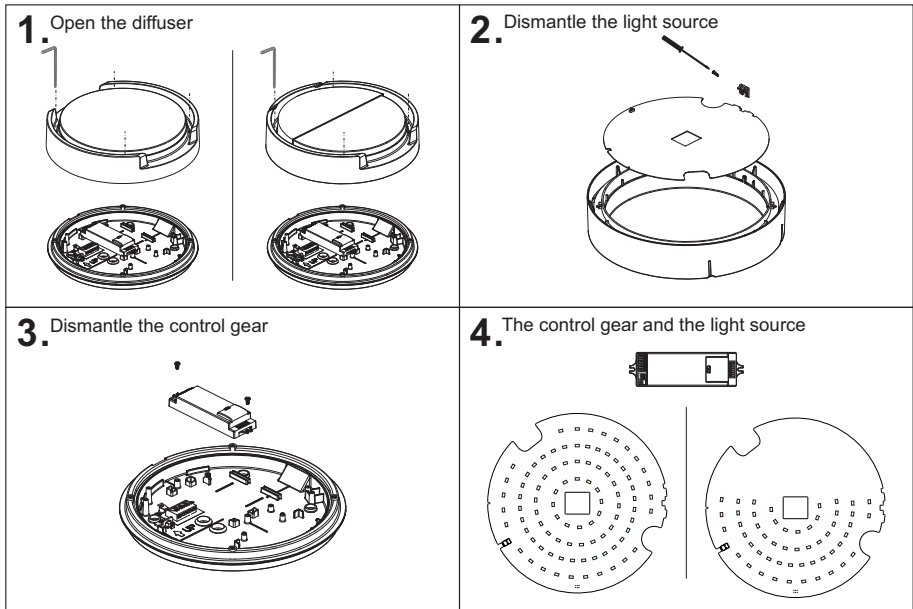
Different colour temperature settings by DIP switches on the LED plates.



MAINTENANCE

1. Cut off the mains power first.
2. Don't use chemical reagent to clean lamp.





This product contains a light source of energy efficiency class E
 Please note, the control gear in this product is not intended to operate in no-load mode