

Installation Procedure

WARNING

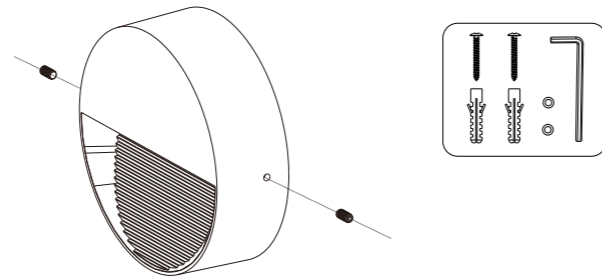
1. Switch off before installation.
2. Switch on only after complete installation and examination of the circuit.
3. Professional electrician for installation and maintenance only.



WARNING — RISK OF OVERHEATING OR FIRE IF THE CLEARANCE DISTANCES ARE COMPROMISED
 WARNING — THIS LUMINAIRE IS NOT SUITABLE FOR INSTALLATION IN LOCATIONS WHERE THERMAL INSULATION IS PRESENT, OR MAY REASONABLY BE EXPECTED TO BE INSTALLED IN THE FUTURE, OR WHERE THERE IS A LIKELIHOOD OF OTHER COMBUSTIBLE MATERIAL, E.G. LEAVES OR VERMIN DEBRIS, ETC. COLLECTING ON OR AROUND THE LUMINAIRE. IT IS NOT SUITABLE FOR DOMESTIC INSTALLATIONS OR INSTALLATION IN RESIDENTIAL AREAS OF NON-DOMESTIC INSTALLATIONS (RESIDENTIAL INSTITUTIONS, HOTELS, BOARDING HOUSES, HOSPITALS, ACCOMMODATION HOUSES, MOTELS, HOSTELS AND THE LIKE).

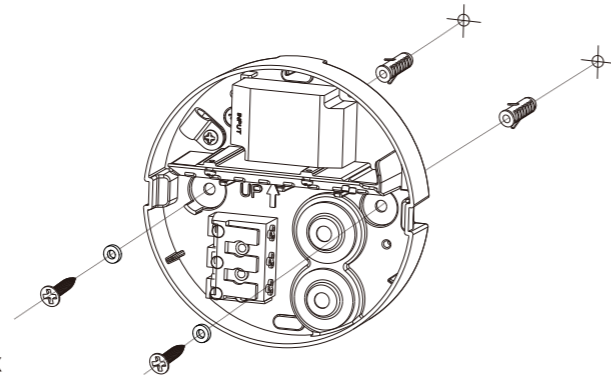
Installation

Step 1



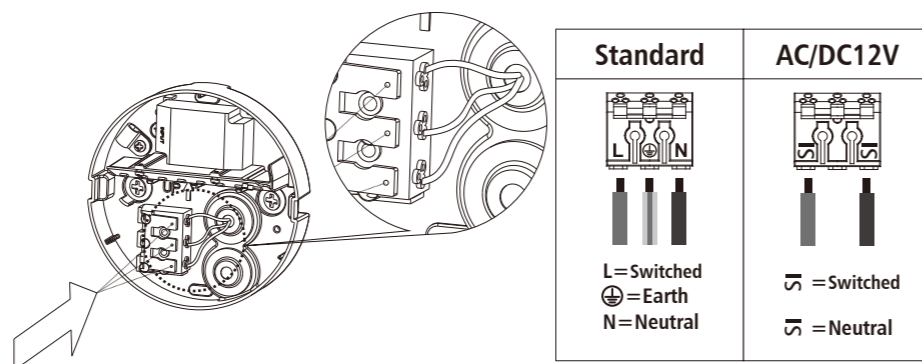
Remove the side cap screws with a hex wrench, then open the cover.

Step 2



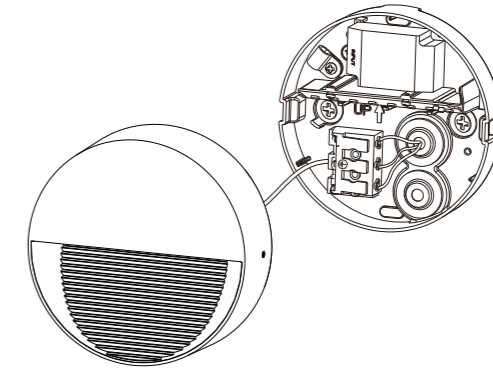
Turn off power supply, according to lamp base mounting holes, drill holes in needed position, then fix the lamp base on the wall.

Step 3



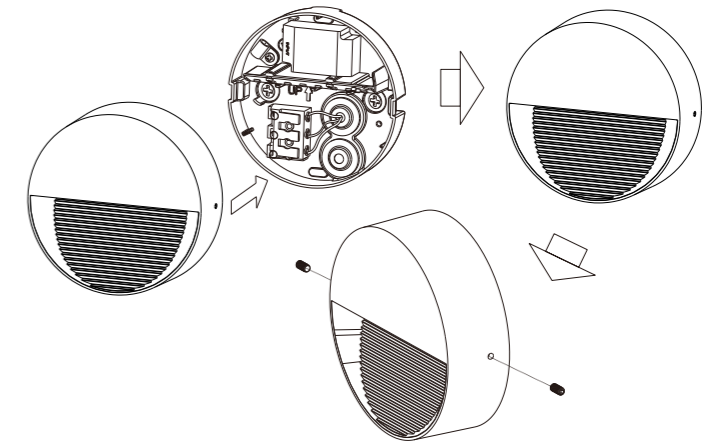
Connect AC wires correspondingly.

Step 4



Connect the earth wire to the front cover.

Step 5

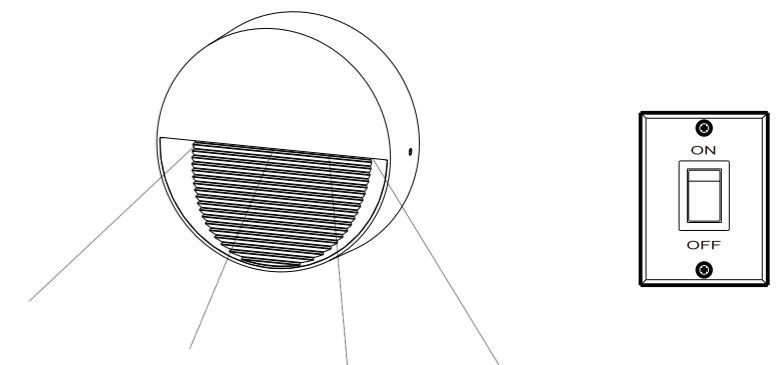


Fix the cover with side cap screws.

Step 6

The light source of this luminaire is not replaceable; when the light source reaches its end of life the whole luminaire shall be replaced.

Turn on.



luminex

