

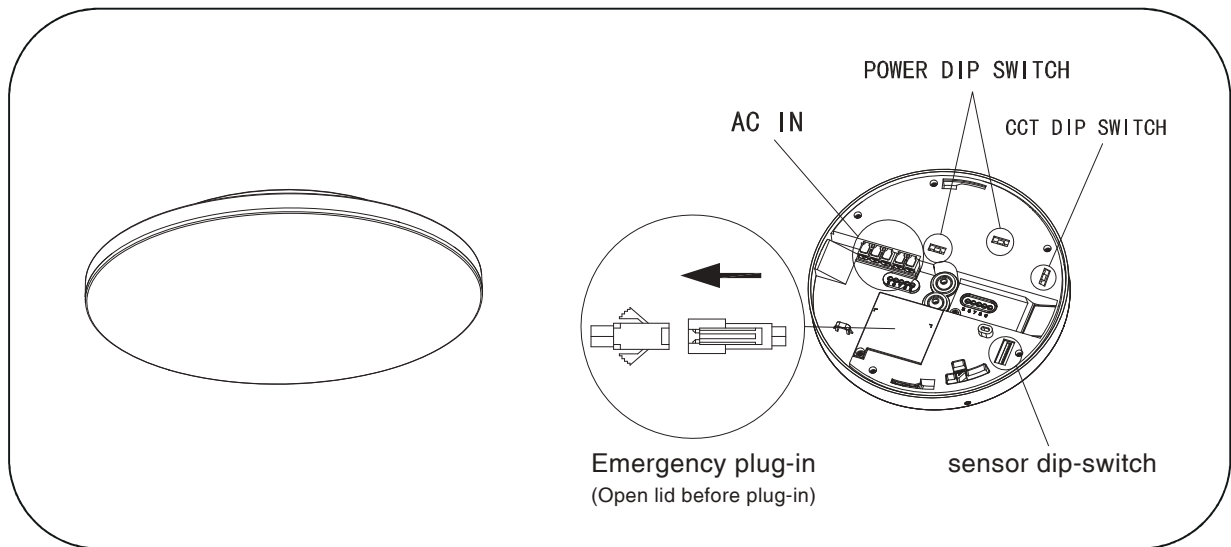
Installation Manual_

Please carefully read and follow the instruction below:

- Follow this instruction manual to ensure correct and safe installation and keep it for future reference.
- **SHUT DOWN** the mains supply first and **NEVER** install with mains power on.
- Ensure that you always install the luminaire to the relevant regulations.
- The electric connection of luminaire has to be done by a certified/qualified installer.
- If in doubt, consult your Distributor/Reseller.
- We assume no accountability for damages which are a result of non-appropriate mounting or application of the luminaire.
- Modifications on the luminaire will result in loss of warrant

This document is applicable to the following luminaire :

- **Shine II**
- **Shine III**



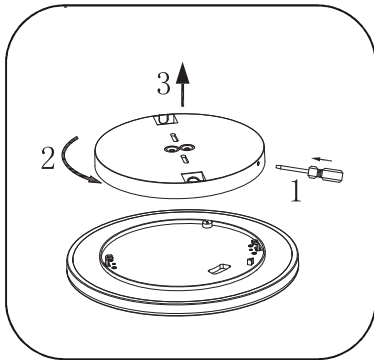
PUSH-LOCK system
Designed for professional Installation

Power DIP Switch : Wattage setting
DC Plug IN : Plus for DC supply of illuminator
SEL2 DIP Switch : CCT setting (optional)

Correct Disposal of this product

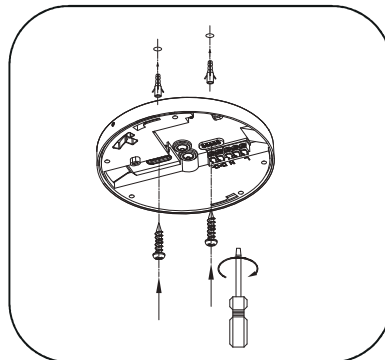


This marking indicates that this product should not be disposed with other household wastes throughout the EU. To prevent possible harm to the environment or human health from uncontrolled waste disposal, recycle it responsibly to promote the sustainable reuse of material resources. To return your used device, please use the return and collection systems or contact the retailer where the product was purchased. They can take this product for environmental safe recycling.



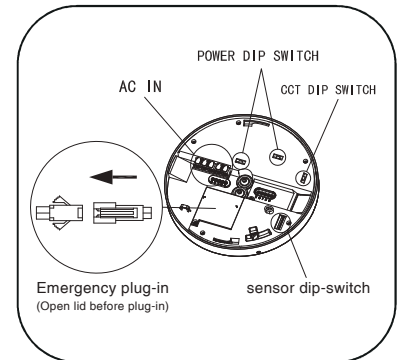
Unlock illuminator from Lamp body:

-Push the unlocking-button with standard screw driver



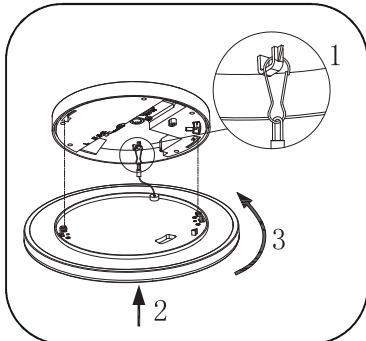
Fix lamp body to the ceiling/wall:

-Insert the plastic plug into the pre-drilled holes.
 -Put the mans cable through the cable inlet
 -Fix the lamp body on to the ceiling/wall with the self tapping screw.



Connect the wires and set the parameter:

-Insert the mains into the AC connector
 -Set the Power level with the Power DIP Switch
 -Set the CCT with the SEL2 DIP Switch
 -Connect the illuminator to DC PLUG IN



Install the illuminator to lamp body:

-Hook the safety cable
 -Position the illuminator
 -Push the illuminator into lamp body
 -Check if the illuminator is safely locked



Correct Disposal of this product



This marking indicates that this product should not be disposed with other household wastes throughout the EU. To prevent possible harm to the environment or human health from uncontrolled waste disposal, recycle it responsibly to promote the sustainable reuse of material resources. To return your used device, please use the return and collection systems or contact the retailer where the product was purchased. They can take this product for environmental safe recycling.